

26CK ½" CCP Preamplifier, Very Short

Product Data

The G.R.A.S. 26CK ½" Preamplifier, Very Short is a very small preamplifier optimized for use with prepolarized condenser microphones. It is a robust unit that uses a constant current power (CCP) supply.

The 26CK has a very low inherent noise level, a large dynamic range, and a frequency response from below 2 Hz to above 200 kHz.

The small, ceramic thick-film substrate in the 26CK has a very high input impedance and is shielded by a guard ring, which minimizes the influence of stray capacitance and microphonic interference.

The 26CK has a built-in TEDS chip; when fitted with a microphone, it can be programmed as a single unit. It can be used with the following G.R.A.S. prepolarized microphones:

- 40AE ½" Prepolarized Free-Field Microphone
- 40AD ½" Prepolarized Pressure Microphone
- 40AO ½" Prepolarized Pressure Microphone, High Frequency
- 40AQ ½" Prepolarized Random Incidence Microphone

The 26CK has an integrated Microdot output connector.

The casing is made of stainless steel for maximum strength and durability.



Fig 1 The 26CK

Typical Applications

- For use in confined spaces
- High-frequency measurements
- High-pressure measurements
- Sound intensity measurements
- Near-field measurements
- Anechoic boxes
- Hearing-aid measurements

26CK 1/2" CCP Preamplifier, Very Short

Specifications for 26CK

Frequency response (cable load 4.7 nF)
2 Hz – 200 kHz.....±0.2 dB

Input impedance
..... 20 GΩ, 0.4 pF

Output impedance (Cs = 20 pF, f = 1000 Hz)
..... <50 Ω

Output Voltage Swing (Peak)
.....±8 V

Noise (measured with 20 pF 1/2" dummy mic)
A-weighted:≤ 2.5 μV rms
Linear (20 Hz – 20 kHz):≤ 6 μV rms

Gain (measured with 20 pF 1/2" dummy mic)
Typical:-0.35 dB

Power Supply
..... 2 mA to 20 mA (typically 4 mA)

Temperature
Operation:..... -30 °C to +60 °C
Storage:..... -40 °C to +85 °C

Relative humidity
Operation:..... 0 to 95 %
Storage:..... 0 to 95 %

Connector type
..... Microdot 10/32

Dimensions and Weight:
Diameter: 12.7 mm
Length:..... 29.50 mm
Weight:..... 3.5 g

Ordering Information

- 26CK 1/2" CCP preamplifier, Very Short

Accessories

Accessories must be ordered separately.

- AA0070 3-m Microdot-to-BNC cable
- AA0071 5-m Microdot-to-BNC cable
- AA0072 10-m Microdot-to-BNC cable
- AA0073-XX Custom-length Microdot-to-BNC cable
- AE1038 Adapter, Microdot female-female

Calibration

Before leaving the factory, G.R.A.S. products are tested and calibrated by G.R.A.S., and an individual test certificate is included with the product.

G.R.A.S. Sound & Vibration continually strives to improve the quality of our products for our customers; therefore, the specifications and accessories are subject to change.

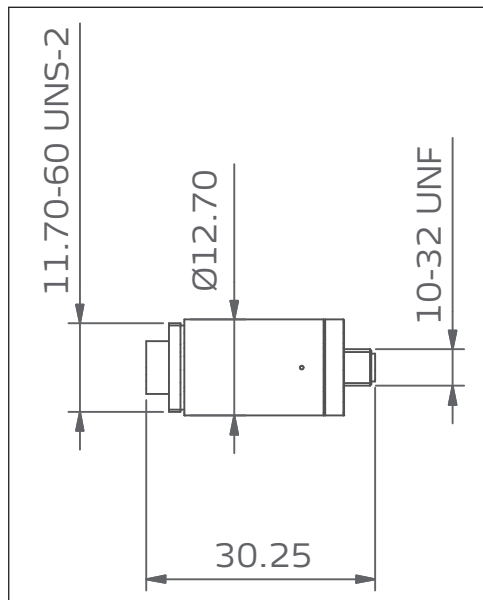


Fig 2 Dimensions of the 26CK