

Quick Guide

G.R.A.S. RA0295 Turbulence Screen Accessories for Flush-mount Microphone

Description

The G.R.A.S. RA0295 is a kit with accessories for mounting of a 1/4" CCP Flush-mount microphone. The microphone can be attached to the turbulence screen with a detachable O-ring or a holder plate and two M3 screws.

The dimensions necessary for preparation of the test object are specified in a file on a USB flash memory that also contains correction data for different angles of incidence.

Delivered Items

The following items are part of the delivery:

Rubber bands (O-rings) for mounting of 47BX, 3 pcs.	OR0781
Bushing (replaces protection grid)	GR1781
Plastic holder plate for mounting of 47BX, including two M3 bolts	GR1725
Allen key, 2 mm	YY0018

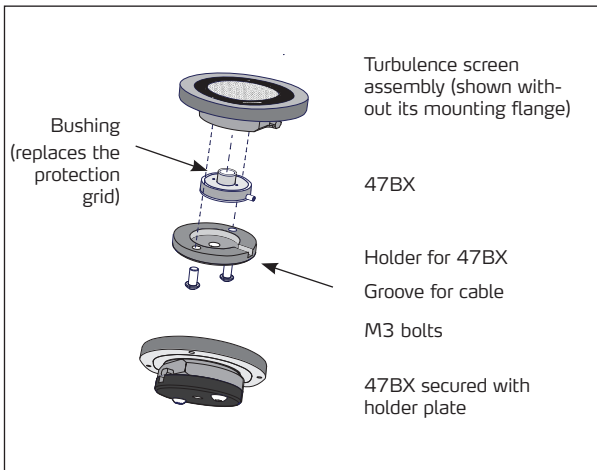
Caution. When the microphone diaphragm is unprotected, do not let any object touch it. Avoid also touching it with your fingers.

The mounting instructions outlined here describe only how to attach the microphone/preamplifier to the assembly. The dimensions necessary for preparation of the test object are specified overleaf. The complete assembly will fit in a flat surface with 4 mm thickness (= the height of the flange engraved 67TS). In other situations, adaptations must be made.

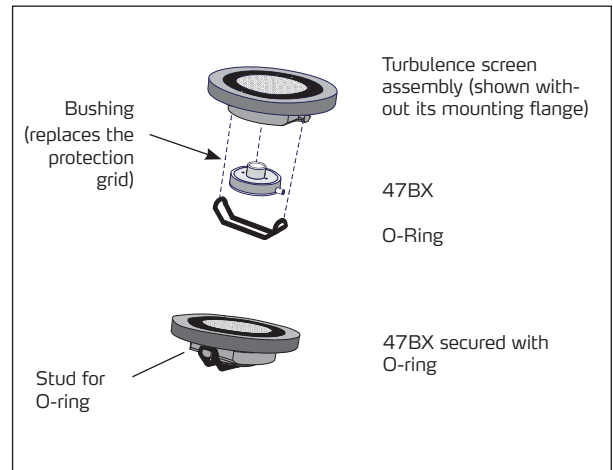
G.R.A.S. RA0295

Turbulence Screen Accessories for Flush-mount Microphone

Securing the 47BX with Holder Plate



Securing the 47BX with Rubber O-Ring



1. Replace the microphone grid with the bushing.
2. Gently push the 47BX up into the turbulence screen assembly.
3. Align it so the wire is at a 90° angle to the two threads for the holder plate bolts.
4. Mount the holder plate over the 47BX while aligning the groove with the cable.
5. Tighten the M3 bolts lightly with the Allen key.

* Save the protective cap for later use (transportation protection etc.)

1. Replace the microphone grid with the bushing.
2. Gently push the 47BX up into the turbulence screen assembly.
3. Pull the O-ring over the two studs to hold the 47BX in the screen assembly.

Dismounting

1. Remove the four M3 bolts used to attach 67TS to the test object.
2. Insert two M3 bolts in the threads shown below. When inserting bolts here the assembly will gently be pulled out.

Dimensions

