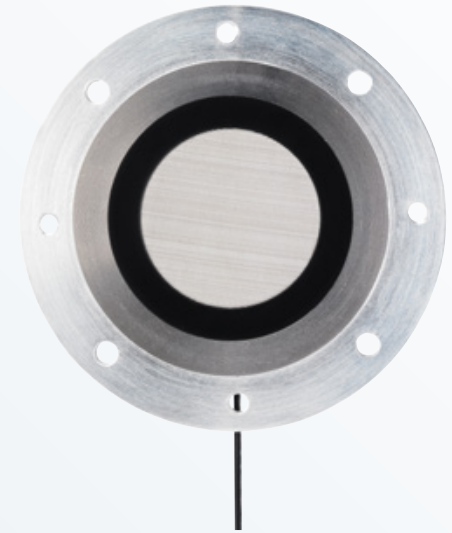
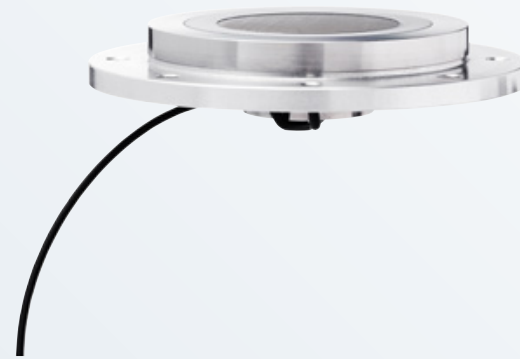


# *Turbulence mesh screen*

*- For near-field aeroacoustic measurements*



**NEW**



**Aerospace**



**Automotive**



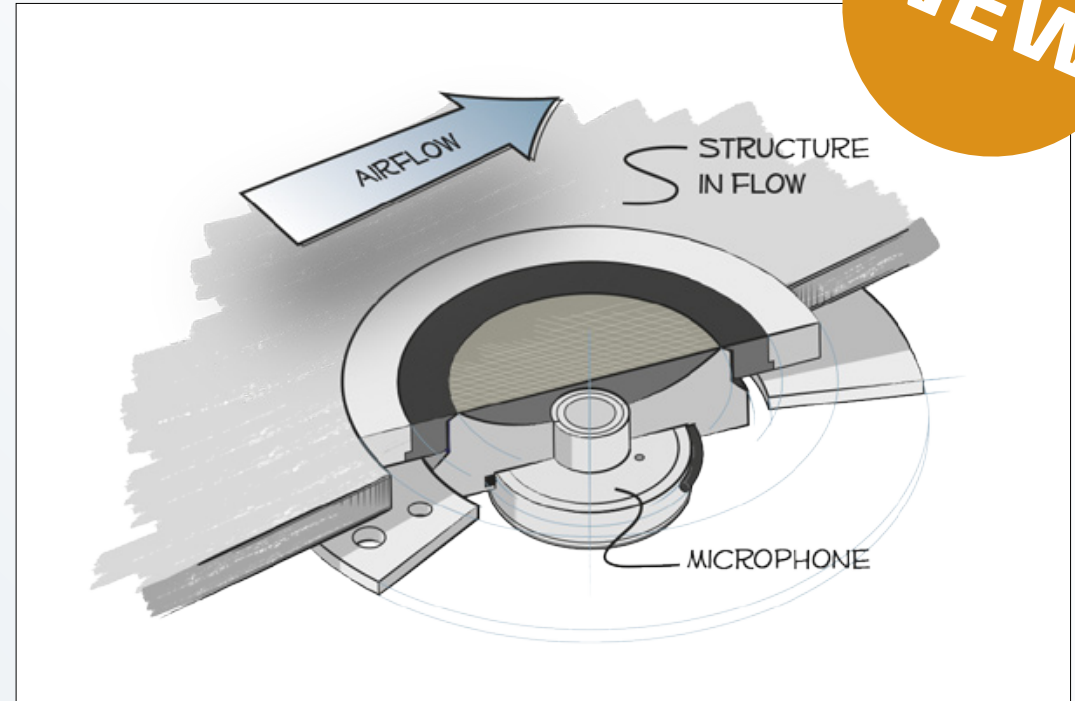
**Rail transportation**

**G.R.A.S.**  
SOUND & VIBRATION

# Flush-mount Turbulence Screen

The new flush-mount turbulence screen is the latest innovation for aeroacoustic testing in wind tunnels. By attenuating the hydrodynamic component of turbulence up to as much as 25 dB, the acoustic signals of interest can now be diagnosed more reliably. The flush-mount turbulence screen integrates the flush and recessed mounting techniques with a special wire mesh, and allows for adaptation of several mounting options.

- *Very high flow noise reduction*
- *Very low acoustic attenuation*
- *Low installation height*
- *Front or rear mounting options*
- *1/4" Flush-mount and standard microphone accommodation*



**NEW**



## Flush-mount Turbulence Screen Kit

G.R.A.S. 67TS

<b>Turbulence attenuation</b>	Up to 25 dB*
<b>Turbulence speed</b>	Up to Mach 0.2
<b>Frequency range (turbulence)</b>	500 Hz - 10 kHz*
<b>Acoustic attenuation</b>	Less than 3 dB*
<b>Approach</b>	± 60 Deg
<b>Frequency range (acoustic)</b>	100 Hz - 70 kHz
<b>Dynamic range</b>	44 dB(A) - 166 dB
<b>Venting</b>	Front

\*Depending on flow-speed

## We Make Microphones

As the only 100% focused developer and manufacturer of measurement microphones, our goal is to provide our customers with the right sensor for the right application. Whether this is realized through a standard, special or customized sensor solution, our concern and priority are always to help our customers

achieve the best possible measurement results – every time.

All our microphones are based on our founder Gunnar Rasmussen's innovative and world-famous measurement microphone design. Designs that have set the

reference for all measurement microphones for more than 50 years. This evolution enables us to offer 5 years microphone warranty and the unique diaphragm repair service. Find more information and your local G.R.A.S. partner at [gras.dk](http://gras.dk)