

# GRAS 26CS

1/4" CCP Standard Preamplifier with Microdot Connector, Very Short



Freq range: 2.5 Hz - 200 kHz  
Noise: 1.8  $\mu$ V Gain: -0.45 dB  
Special feature: For confined spaces

The GRAS 26CS 1/4" Preamplifier is a very small preamplifier optimized for use with prepolarized condenser microphones. It is a robust unit and uses a CCP power supply. It has a very low inherent noise level, a large dynamic range and a frequency response from below 2 Hz to above 200 kHz.

## Typical applications and use

- Confined spaces
- High-frequency measurements
- High-pressure measurements
- Sound intensity measurements
- Near-field measurements
- Anechoic boxes
- Hearing-aid measurements

## Design

Its small ceramic thick-film substrate has a very high input impedance, and is shielded by a guard ring to minimise the influence of stray capacitance and microphonic interference.

The 26CS is delivered with Generation II TEDS. The calibration data is programmed into the built-in TEDS according to IEEE 1451.4 using UDID I27-0-0-0U. If your measurement platform supports Transducer Electronic Data Sheets you will be able to read and write data like properties and calibration data.

Generation II TEDS chip (DS2431) may require updated system software.

It can be used with GRAS 40BE and 40BD 1/4" and 40AE, 40AD and 40AQ 1/2" prepolarized microphones using the included GRAS GR0010 Adapter for 1/4" preamplifier and 1/2" microphone.

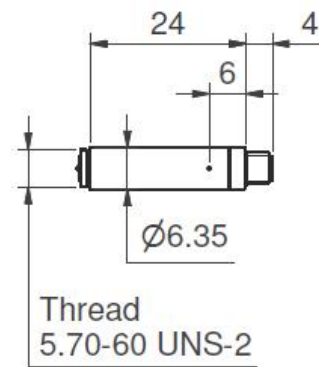
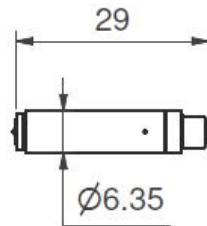
The 26CS has an integrated Microdot output connector. Microdot-to-BNC cables are available. The casing is made of stainless steel for maximum strength and durability.

Frequency range ( $\pm 0.2$ dB) with 18 pF microphone dummy	Hz	2.5 to 200 k
Slew rate	V/ $\mu$ s	20
Input impedance	G // pF	20 // 0.4
Output impedance		< 50
Output Voltage Swing, min. @ 24-28 V CCP voltage supply	Vp	8
Noise (A-Weighted) max.	$\mu$ V	2.5
Noise (A-Weighted) typ.	$\mu$ V	1.8
Noise (Linear 20 Hz – 20 kHz) max.	$\mu$ V	6
Noise (Linear 20 Hz – 20 kHz) typ.	$\mu$ V	3.5
Gain	dB	-0.45
Power supply (Constant Current Power)	mA	2 to 20 (typ. 4)
DC bias voltage, typ.	V	12
Temperature range, operation	$^{\circ}$ C / $^{\circ}$ F	-30 to 70 / -22 to 158
Temperature range, storage	$^{\circ}$ C / $^{\circ}$ F	-40 to 85 / -40 to 185
Humidity range non condensing	% RH	0 to 95
TEDS UDID (IEEE 1451.4)		I27-0-0-0U
Connector type		Microdot 10/32
CE/RoHS compliant/WEEE registered		Yes / Yes, Yes
Weight	g / oz	3.0 / 0.12

Conditions: 23  $^{\circ}$ C Ambient temperature  
 4 mA / 24 V open loop CCP voltage  
 18 pF dummy microphone  
 3 m output coax-cable

GRAS Sound & Vibration reserves the right to change specifications and accessories without notice.

Dimensions in mm



## Included items

<a href="#">GR0010</a>	Adapter for 1/4" preamplifier and 1/2" microphone
------------------------	---

## Optional items

<a href="#">GRAS AA0070</a>	3 m Microdot - BNC Cable
<a href="#">GRAS AL0029</a>	1/4" Microphone Holder, POM
<a href="#">GRAS AL0013</a>	1/4" Microphone Holder, Stainless Steel
<a href="#">GRAS AL0005</a>	Swivel head
<a href="#">GRAS AL0006</a>	Tripod
<a href="#">GRAS RA0063</a>	Adapter for 1/8" microphone and 1/4" preamplifier
<a href="#">GRAS RA0006</a>	Right-angled (90°) Adapter for 1/4" Microphone and 1/4" Preamplifier
<a href="#">GRAS RA0080</a>	6pF Preamplifier-input adapter for 1/4" microphones
<a href="#">GRAS 12AL</a>	1-Channel CCP Power Module with A-weighting filter
<a href="#">GRAS 12AQ</a>	2-Channel Universal Power Module with signal conditioning and PC interface

GRAS Sound & Vibration reserves the right to change specifications and accessories without notice.

# GRAS Worldwide

Subsidiaries and distributors in more than 40 countries

**HEAD OFFICE, DENMARK**  
**GRAS SOUND & VIBRATION**  
Skovlytoften 33  
2840 Holte  
Denmark  
Tel: +45 4566 4046  
[www.GRASacoustics.com](http://www.GRASacoustics.com)  
[gras@grasacoustics.com](mailto:gras@grasacoustics.com)

**USA**  
**GRAS SOUND & VIBRATION**  
9290 SW Nimbus Avenue  
Beaverton, OR 97008  
Tel: 503-627-0832  
Toll Free: 800-231-7350  
[www.GRASacoustics.com](http://www.GRASacoustics.com)  
[sales-usa@grasacoustics.com](mailto:sales-usa@grasacoustics.com)

**UK**  
**GRAS SOUND & VIBRATION**  
Unit 115, Gibson House,  
Ermine Business Park, Huntingdon,  
Cambridgeshire, PE29 6XU  
Tel: +44 (0) 7762 584 202  
[www.GRASacoustics.com](http://www.GRASacoustics.com)  
[sales-uk@grasacoustics.com](mailto:sales-uk@grasacoustics.com)

**CHINA**  
**GRAS SOUND & VIBRATION**  
Room 315, RuiBo Center(T1)  
Lane683, Shenhong Rd,  
Minhang District,  
Shanghai, China, 201107  
Tel: +86 21 64203370  
[www.GRASacoustics.cn](http://www.GRASacoustics.cn)  
[cnsales@grasacoustics.com](mailto:cnsales@grasacoustics.com)



## About GRAS Sound & Vibration

GRAS is a worldwide leader in the sound and vibration industry. We develop and manufacture state-of-the-art measurement microphones and related equipment for industries where acoustic measuring accuracy and repeatability are of the utmost importance. This includes applications and solutions for customers within the fields of aerospace, automotive, audiology, consumer electronics and other highly demanding industries. GRAS microphones are designed to live up to the high quality, durability and accuracy that our customers have come to expect, trust and require.

GRAS Sound & Vibration is represented through subsidiaries and distributors in more than 40 countries and is part of Axiometrix Solutions, a leading test solutions provider comprised of globally recognized measurement brands. Read more at [www.grasacoustics.com](http://www.grasacoustics.com)

[grasacoustics.com](http://grasacoustics.com)

**GRAS**  
An Axiometrix Solutions Brand