

# GRAS 26CG

1/4" CCP Preamplifier with Microdot Connector, Low Frequency



Freq range: 1 Hz - 200 kHz  
Noise: 1.8  $\mu$ V Gain: -0.35 dB  
Special feature: For low-frequency applications

The GRAS 26CG 1/4" CCP Preamplifier is a small robust unit optimised for acoustic measurements using condenser microphones. It has a very low inherent noise level, a wide dynamic range, and a wide frequency response from below 1 Hz to above 200 kHz.

## Typical Applications

- Infra-sound measurements
- Low-level measurements
- General-purpose preamplifier
- Use with 40AZ ½ Free-field Microphone, Low-frequency

## Special Properties

- Wide Frequency Range
- Low Cut-off Frequency
- Low Noise Level

GRAS 26CG can easily be connected to any IEPE input or to a GRAS 12AQ or 12AL Power Supply.

The 26CG is delivered with a built-in TEDS chip and can be programmed as a combined unit with a microphone fitted. It can be used with all GRAS prepolarized microphones.

## Design

All GRAS microphone preamplifiers are based on a small ceramic thick-film substrate with a very high input impedance. The ceramic substrate is shielded by a guard ring to minimise the influence of stray capacitance and microphonic interference.

The casing is made of stainless steel for maximum strength and durability. The small dimensions of this preamplifier ensure reliable operation under humid conditions owing to the heat generated by internal power dissipation.

## Dynamic Range

The lower limit of the dynamic range is determined by the noise floor. The upper limit of the dynamic range is determined by the power module: Type 12AQ, sourced at 28 V DC, supplies a constant current of 4 mA. This leads to a maximum output voltage of  $8 V_{\text{peak}}$ , the dynamic range thereby exceeding 126 dB.

## Noise

The electrical circuit in the GRAS 26CG preamplifier is built on a ceramic substrate using selected low noise components to gain very low self-noise. The electrical self-noise is so low that system noise is mainly determined by the microphone cartridge's (GRAS 40AZ's) thermal noise.

## Frequency Response

The low-frequency cut-off of the 26CG preamplifier is mainly determined by the input impedance of the preamplifier and the capacitance of the microphone cartridge. The capacities 20 pF, 6.5 pF and 3 pF equal the typical capacitances of ½, ¼ and ⅛ microphone cartridges respectively.

The high-frequency cut-off is determined by the preamplifier's ability to drive capacitive loads (slewrate), caused by the cable. For large-signals, the effects of these parameters must be accounted for when measurements are performed.

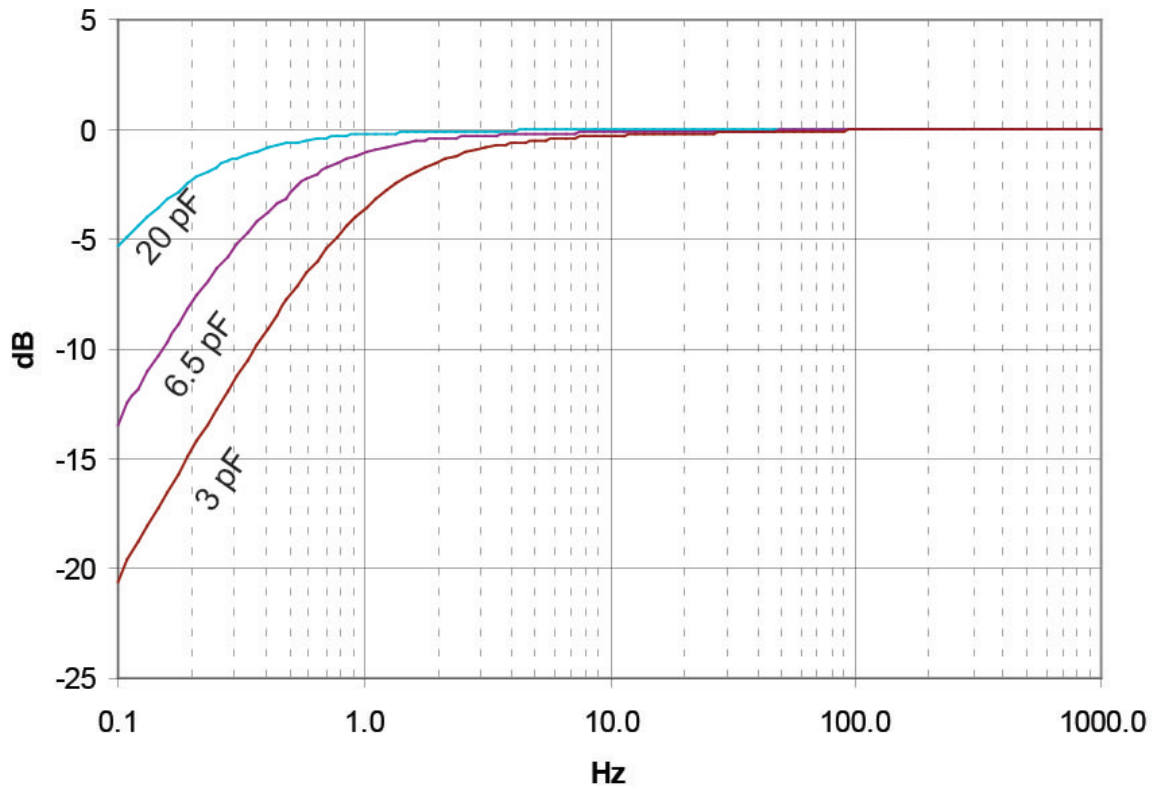
GRAS 26CG is typically used with GRAS 40AZ, low frequency microphone cartridge to reach a -3-dB cut-off frequency around 0.25 Hz.

## Connectors and Adapters

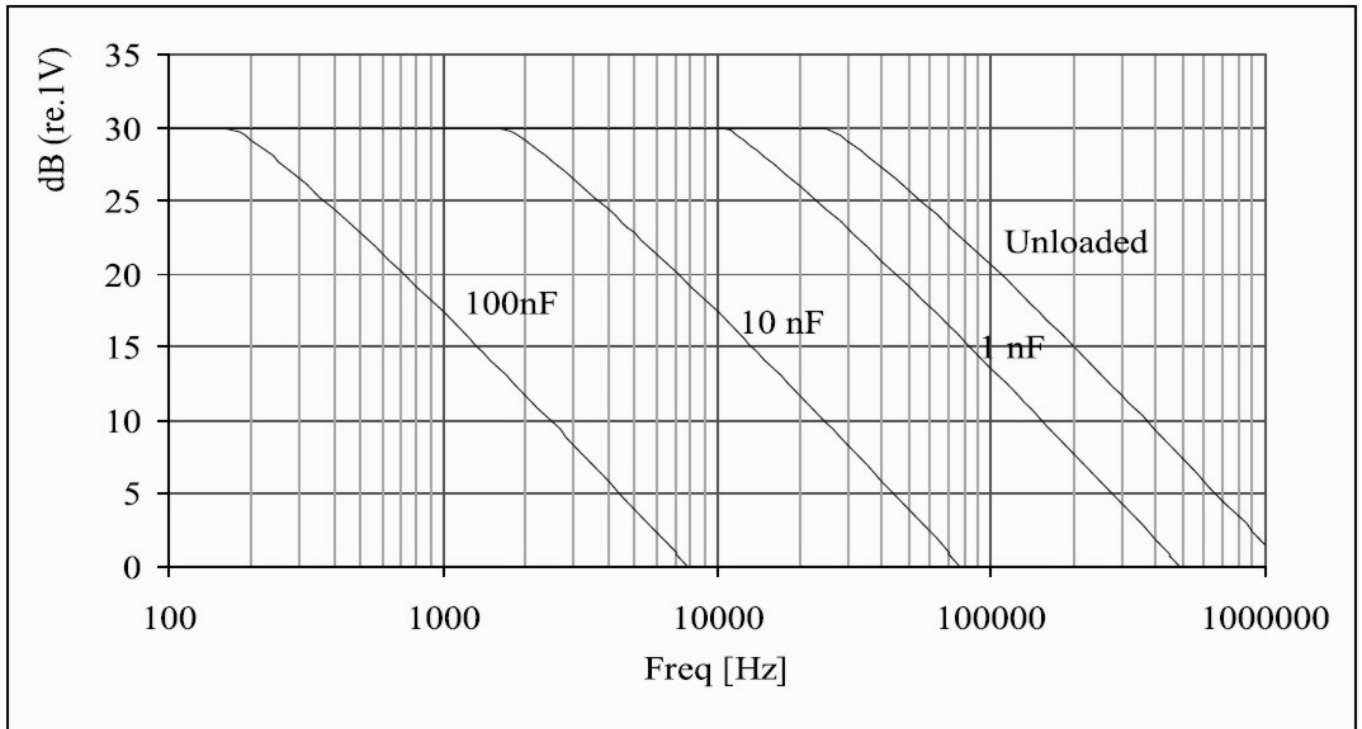
26CG Preamplifier is provided with a Microdot connector. An adaptor (GR0010) for GRAS 1/2" microphones is included.

Frequency range ( $\pm 0.2$ dB) with 18 pF microphone dummy	Hz	1 to 200 k
Slew rate	V/ $\mu$ s	20
Input impedance	G // pF	40 // 0.4
Output impedance		< 50
Output Voltage Swing, min. @ 24-28 V CCP voltage supply	Vp	8
Noise (A-Weighted) max.	$\mu$ V	2.5
Noise (A-Weighted) typ.	$\mu$ V	1.8
Noise (Linear 20 Hz – 20 kHz) max.	$\mu$ V	6
Noise (Linear 20 Hz – 20 kHz) typ.	$\mu$ V	3.5
High-pass filter @3dB cut-off	Hz	TBD
Gain	dB	-0.35
Power supply (Constant Current Power)	mA	2 to 20 (typ. 4)
DC bias voltage, typ.	V	12
Temperature range, operation	$^{\circ}$ C / $^{\circ}$ F	-30 to 70 / -22 to 158
Temperature range, storage	$^{\circ}$ C / $^{\circ}$ F	-40 to 85 / -40 to 185
Humidity range non condensing	% RH	0 to 95
TEDS UTID (IEEE 1451.4)		769 v. 0.9
Connector type		Microdot 10/32
CE/RoHS compliant/WEEE registered		Yes / Yes, Yes
Weight	g / oz	6.0 / 0.21

Conditions: 23  $^{\circ}$ C Ambient temperature, 4 mA / 24 V open loop CCP voltage, 18 pF dummy microphone & 3 m coax-cable.



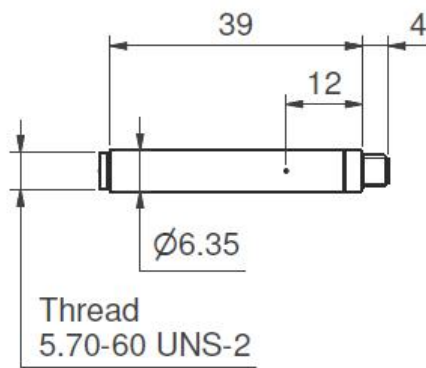
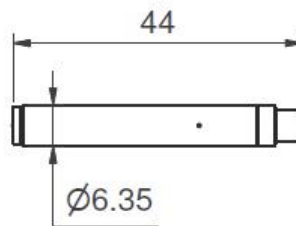
*Typical low-frequency response of Type 26AL for 1/2 (20 pF), 1/4 (6.5 pF) and 1/8 (3 pF) microphones*



*Typical max. rms output signal with 120 V and 30 V supply*

GRAS Sound & Vibration reserves the right to change specifications and accessories without notice.

Dimensions in mm



## Included items

<a href="#">GR0010</a>	Adapter for 1/4" preamplifier and 1/2" microphone
------------------------	---

## Optional items

<a href="#">GRAS AA0070</a>	3 m Microdot - BNC Cable
<a href="#">GRAS AL0029</a>	1/4" Microphone Holder, POM
<a href="#">GRAS AL0013</a>	1/4" Microphone Holder, Stainless Steel
<a href="#">GRAS AL0005</a>	Swivel head
<a href="#">GRAS AL0006</a>	Tripod
<a href="#">GRAS RA0063</a>	Adapter for 1/8" microphone and 1/4" preamplifier
<a href="#">GRAS RA0006</a>	Right-angled (90°) Adapter for 1/4" Microphone and 1/4" Preamplifier
<a href="#">GRAS RA0080</a>	6pF Preamplifier-input adapter for 1/4" microphones
<a href="#">GRAS 12AL</a>	1-Channel CCP Power Module with A-weighting filter
<a href="#">GRAS 12AQ</a>	2-Channel Universal Power Module with signal conditioning and PC interface

GRAS Sound & Vibration reserves the right to change specifications and accessories without notice.

# GRAS Worldwide

Subsidiaries and distributors in more than 40 countries

**HEAD OFFICE, DENMARK**  
**GRAS SOUND & VIBRATION**  
Skovlytoften 33  
2840 Holte  
Denmark  
Tel: +45 4566 4046  
[www.GRASacoustics.com](http://www.GRASacoustics.com)  
[gras@grasacoustics.com](mailto:gras@grasacoustics.com)

**USA**  
**GRAS SOUND & VIBRATION**  
9290 SW Nimbus Avenue  
Beaverton, OR 97008  
Tel: 503-627-0832  
Toll Free: 800-231-7350  
[www.GRASacoustics.com](http://www.GRASacoustics.com)  
[sales-usa@grasacoustics.com](mailto:sales-usa@grasacoustics.com)

**UK**  
**GRAS SOUND & VIBRATION**  
Unit 115, Gibson House,  
Ermine Business Park, Huntingdon,  
Cambridgeshire, PE29 6XU  
Tel: +44 (0) 7762 584 202  
[www.GRASacoustics.com](http://www.GRASacoustics.com)  
[sales-uk@grasacoustics.com](mailto:sales-uk@grasacoustics.com)

**CHINA**  
**GRAS SOUND & VIBRATION**  
Room 315, RuiBo Center(T1)  
Lane683, Shenhong Rd,  
Minhang District,  
Shanghai, China, 201107  
Tel: +86 21 64203370  
[www.GRASacoustics.cn](http://www.GRASacoustics.cn)  
[cnsales@grasacoustics.com](mailto:cnsales@grasacoustics.com)



## About GRAS Sound & Vibration

GRAS is a worldwide leader in the sound and vibration industry. We develop and manufacture state-of-the-art measurement microphones and related equipment for industries where acoustic measuring accuracy and repeatability are of the utmost importance. This includes applications and solutions for customers within the fields of aerospace, automotive, audiology, consumer electronics and other highly demanding industries. GRAS microphones are designed to live up to the high quality, durability and accuracy that our customers have come to expect, trust and require.

GRAS Sound & Vibration is represented through subsidiaries and distributors in more than 40 countries and is part of Axiometrix Solutions, a leading test solutions provider comprised of globally recognized measurement brands. Read more at [www.grasacoustics.com](http://www.grasacoustics.com)

[grasacoustics.com](http://grasacoustics.com)

**GRAS**  
An Axiometrix Solutions Brand