

GRAS 26AC-1

1/4" Standard Preamplifier with Integrated Miniconnector



Freq range: 2.5 Hz - 200 kHz
Noise: 1.8 μ V
Gain: -0.29 dB
Special feature: General purpose

The GRAS 26AC-1 1/4" Preamplifier is a small robust unit optimised for acoustic measurements using condenser microphones. It has a very low inherent noise level, a wide dynamic range and a frequency response from below 2 Hz to above 200 kHz.

Design

All GRAS microphone preamplifiers are based on a small ceramic thick-film substrate with a very high input impedance. The ceramic substrate is shielded by a guard ring to minimize the influence of stray capacitance and microphonic interference. The casing is made of stainless steel for maximum strength and durability. This preamplifier ensures reliable operation even under humid conditions owing to the heat generated by internal power dissipation.

The 26AC-1 is delivered with a built-in TEDS chip, and can be programmed as a single unit with a microphone fitted. An adaptor (GRAS GR0010) for GRAS 1/2" microphone cartridges is included.

Dynamic Range

GRAS 26AC-1 can handle both single and dual-sided power supplies. The supply can vary between 28 VDC and 120 VDC single-sided or ± 14 VDC and ± 60 VDC dual-sided. When using the high supply voltage (120 VDC or ± 60 VDC), the dynamic range exceeds 140 dB.

Noise

The electrical circuit in GRAS 26AC-1 is built on a ceramic substrate using selected low-noise components to gain very low self-noise. The electrical self-noise is so low that system noise is mainly determined by the microphone cartridge's thermal noise.

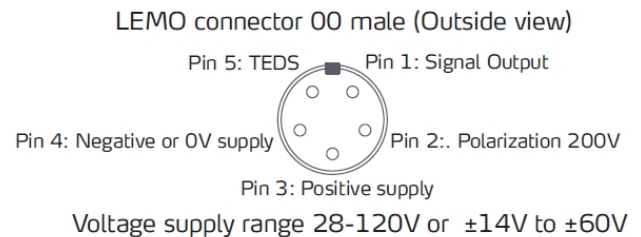
Frequency response

The low-frequency cut-off of the GRAS 26AC-1 preamplifier is mainly determined by the input impedance of the preamplifier and the capacitance of the microphone cartridge (see the graph in the Specifications). The capacities 20 pF, 6.5 pF and 3 pF equal the typical capacitances of 1/2", 1/4" and

1/8" microphone cartridges respectively. The high-frequency cut-off is determined by the preamplifier's ability to drive capacitive loads (slew rate), caused by the cable. For large-signals, the effects of these parameters must be accounted for when measurements are performed. A graph in the Specifications shows the large-signal response for GRAS 26AC-1 for various capacitive loads corresponding to different cable lengths. The output level is in decibels relative to 1 Volt. Typical capacitance for the cable is 100pF/m (30pF/foot).

Connector

The GRAS 26AC-1 1/4" Preamplifier is provided with a 5-pin LEMO series integrated connector. Cables for conversion to standard 7-pin LEMO series 1B plug are available.



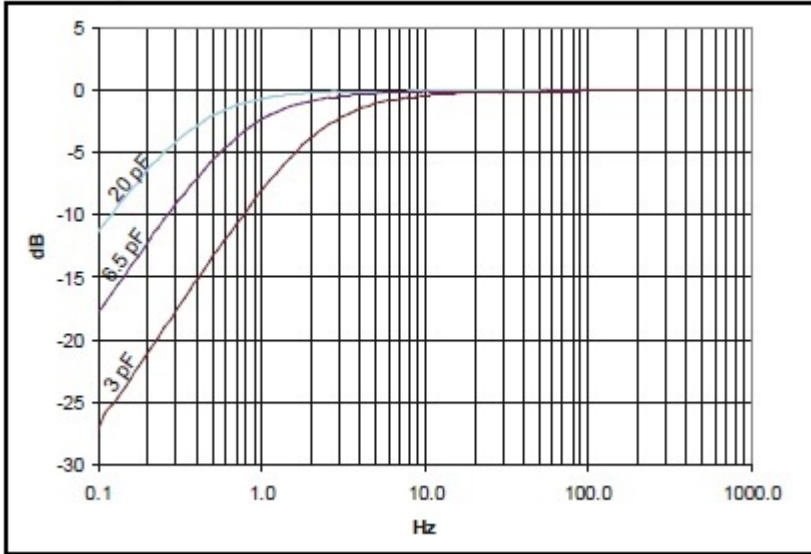
5-pin LEMO plug 00 male (ext. view)

Typical applications and use

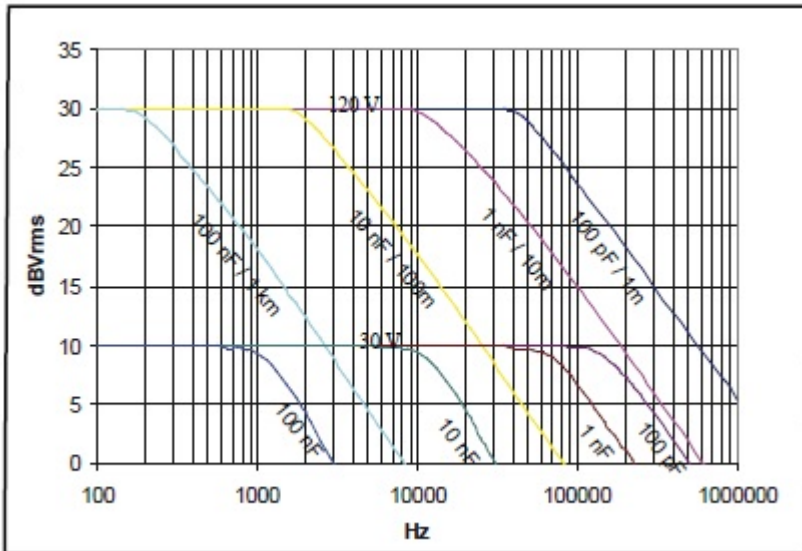
- General-purpose preamplifier
- High-frequency measurements
- High-pressure measurements

Frequency range (± 0.2 dB) with 18 pF microphone dummy	Hz	2.5 to 200 k
Slew rate	V/ μ s	20
Input impedance	G // pF	20 // 0.4
Output impedance		75
Output Voltage Swing, max. @ ± 14 V/+28V power supply	Vp	12
Output Voltage Swing, max. @ ± 60 V/+120V power supply	Vp	50
Noise (A-Weighted) max.	μ V	2.5
Noise (A-Weighted) typ.	μ V	1.8
Noise (Linear 20 Hz – 20 kHz) max.	μ V	6
Noise (Linear 20 Hz – 20 kHz) typ.	μ V	3.5
Gain	dB	-0.29
Power supply, single	V	28 to 120
Power supply, balanced	V	± 14 to ± 60
DC-offset, min., single supply	V	$0.5 \times V_s - 1$
DC-offset, max., single supply	V	$0.5 \times V_s + 4$
DC-offset, balanced supply	V	-1 to 4
Temperature range, operation	$^{\circ}$ C / $^{\circ}$ F	-30 to 70 / -22 to 158
Temperature range, storage	$^{\circ}$ C / $^{\circ}$ F	-40 to 85 / -40 to 185
Humidity range non condensing	% RH	0 to 95
TEDS UTID (IEEE 1451.4)		27 v. 1.0
Connector type		5-pin LEMO 00
CE/RoHS compliant/WEEE registered		Yes / Yes, Yes
Weight	g / oz	6.9 / 0.24

Conditions: 23 $^{\circ}$ C Ambient temperature, ± 60 V/+120V power supply, 18 pF dummy microphone, 3 m output cable.



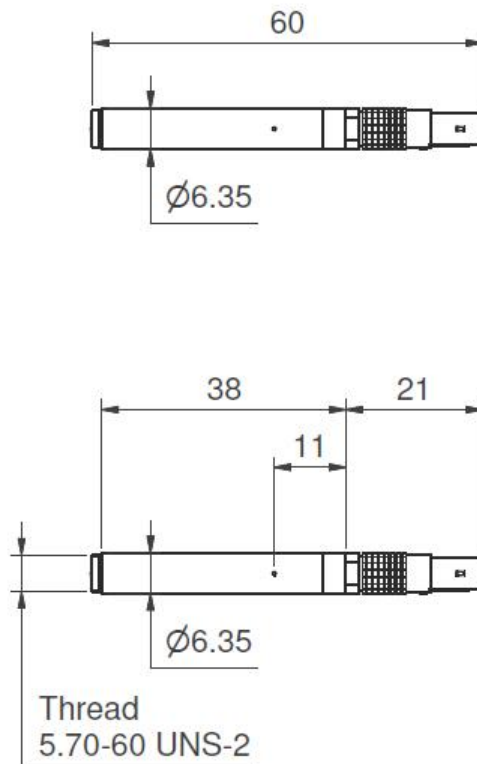
Typical frequency response for 1/2" (20 pF), 1/4" (6.5 pF) and 1/8" (3 pF) microphones



Typical max RMS output signal with 120 V and 30 V supply

GRAS Sound & Vibration reserves the right to change specifications and accessories without notice.

Dimensions in mm



Included items

GRAS GR0010	Adapter for 1/4" preamplifier and 1/2" microphone
-----------------------------	---

Optional items

GRAS AA0091	3 m LEMO 5-pin - LEMO 7-pin Cable
GRAS AL0029	1/4" Microphone Holder, POM
GRAS AL0013	1/4" Microphone Holder, Stainless Steel
GRAS AL0005	Swivel head
GRAS AL0006	Tripod
GRAS RA0063	Adapter for 1/8" microphone and 1/4" preamplifier
GRAS RA0006	Right-angled (90°) Adapter for 1/4" Microphone and 1/4" Preamplifier
GRAS RA0080	6pF Preamplifier-input adapter for 1/4" microphones
GRAS 12AA	2-Channel Power Module with gain, filters and SysCheck generator
GRAS 12AQ	2-Channel Universal Power Module with signal conditioning and PC interface

GRAS Sound & Vibration reserves the right to change specifications and accessories without notice.

GRAS Worldwide

Subsidiaries and distributors in more than 40 countries

HEAD OFFICE, DENMARK
GRAS SOUND & VIBRATION
Skovlytoften 33
2840 Holte
Denmark
Tel: +45 4566 4046
www.GRASacoustics.com
gras@grasacoustics.com

USA
GRAS SOUND & VIBRATION
9290 SW Nimbus Avenue
Beaverton, OR 97008
Tel: 503-627-0832
Toll Free: 800-231-7350
www.GRASacoustics.com
sales-usa@grasacoustics.com

UK
GRAS SOUND & VIBRATION
Unit 115, Gibson House,
Ermine Business Park, Huntingdon,
Cambridgeshire, PE29 6XU
Tel: +44 (0) 7762 584 202
www.GRASacoustics.com
sales-uk@grasacoustics.com

CHINA
GRAS SOUND & VIBRATION
Room 315, RuiBo Center(T1)
Lane683, Shenhong Rd,
Minhang District,
Shanghai, China, 201107
Tel: +86 21 64203370
www.GRASacoustics.cn
cnsales@grasacoustics.com



About GRAS Sound & Vibration

GRAS is a worldwide leader in the sound and vibration industry. We develop and manufacture state-of-the-art measurement microphones and related equipment for industries where acoustic measuring accuracy and repeatability are of the utmost importance. This includes applications and solutions for customers within the fields of aerospace, automotive, audiology, consumer electronics and other highly demanding industries. GRAS microphones are designed to live up to the high quality, durability and accuracy that our customers have come to expect, trust and require.

GRAS Sound & Vibration is represented through subsidiaries and distributors in more than 40 countries and is part of Axiometrix Solutions, a leading test solutions provider comprised of globally recognized measurement brands. Read more at www.grasacoustics.com

grasacoustics.com

GRAS
An Axiometrix Solutions Brand